

Ø 200 mm, STAMPED

AC AXIAL FAN



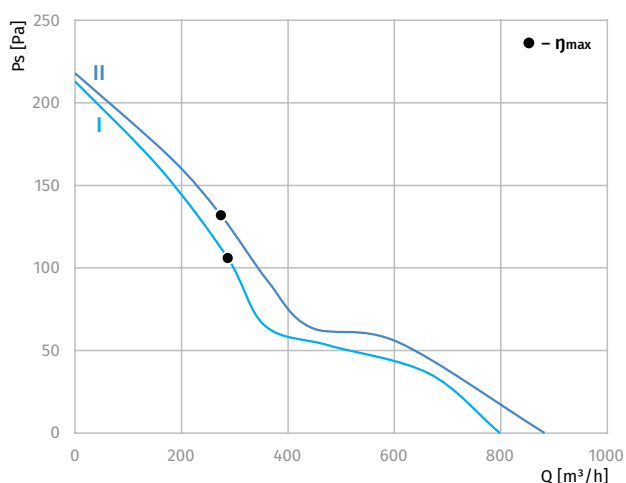
Features

- Impeller material: steel powder coated, stamped
- Direction of rotation: clockwise, seen on rotor
- Type of protection: IP44
- Insulation class: B
- Mode of operation: continuous operation (S1)
- Bearing: ball bearings
- Motor protection: self-resetting TOP wired internally

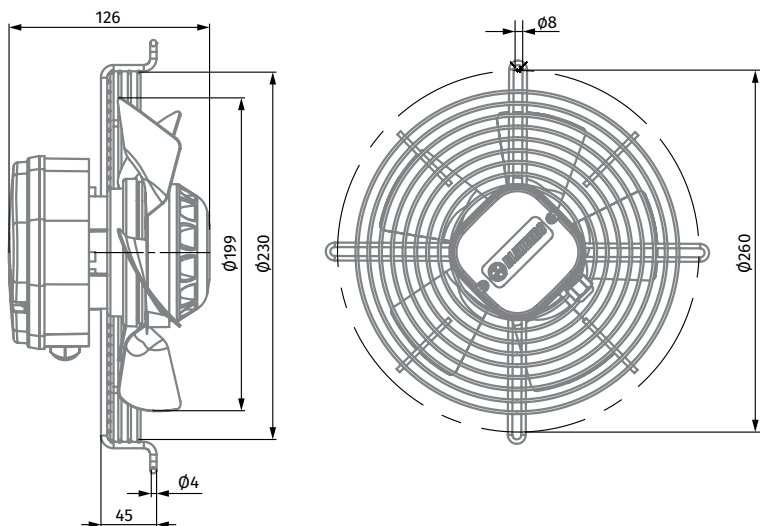


Technical data

Model	Perform. curve	Nominal voltage [VAC]	Frequency [Hz]	Speed [RPM]	Power input max [W]	Current max [A]	Sound pres. level [dB(A)]	Perm. amb. temp. [°C]	Capacitor [µF/VDB]	Electrical connection
BL-A200A-2E-A01-B3	I	230	50	2540	67	0.29	60	-25 ... +50	1.5/450	A
	II	230	60	2650	84	0.36	62	-25 ... +50	1.5/450	A

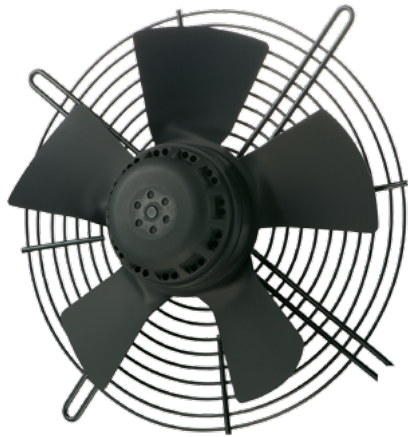


Overall Dimensions



# Ø 250 MM, STAMPED

# AC AXIAL FAN



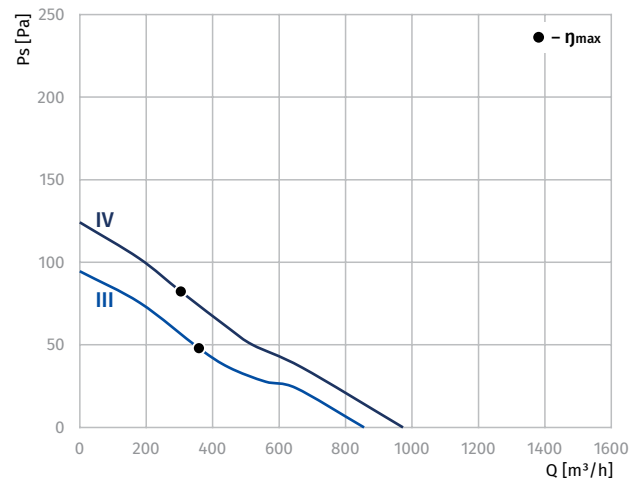
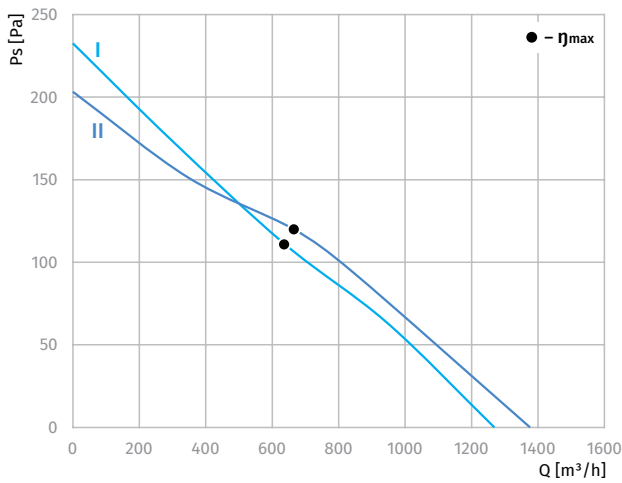
### Features

- **Impeller material:** steel powder coated, stamped
- **Direction of rotation:** clockwise, seen on rotor
- **Type of protection:** IP44
- **Insulation class:** B
- **Mode of operation:** continuous operation (S1)
- **Bearing:** ball bearings
- **Motor protection:** self-resetting TOP wired internally

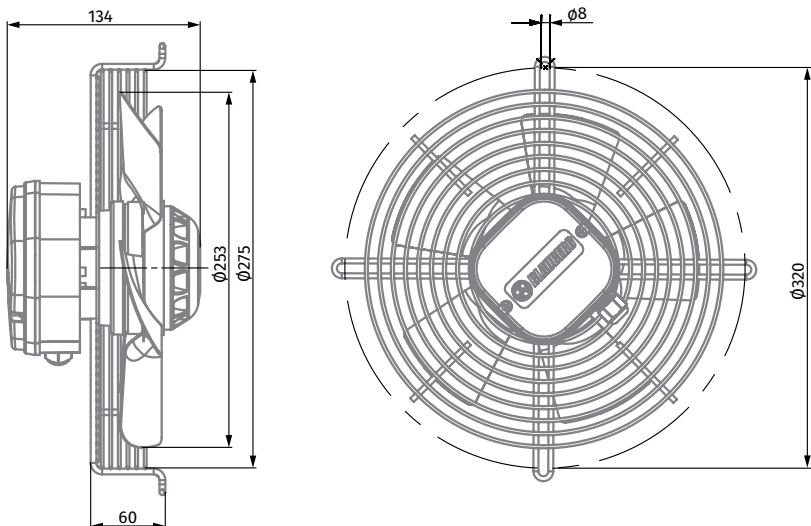


### Technical data

Model	Perform. curve	Nominal voltage [VAC]	Frequency [Hz]	Speed [RPM]	Power input max [W]	Current max [A]	Sound pres. level [dB(A)]	Perm. amb. temp. [°C]	Capacitor [µF/VDB]	Electrical connection
BL-A250A-2E-B01-B3	I	230	50	2480	117	0.52	60	-25 ... +50	2.0/450	A
	II	230	60	2560	140	0.61	62	-25 ... +50	2.0/450	A
BL-A250A-4E-B01-B3	III	230	50	1380	53	0.23	54	-25 ... +50	2.0/450	A
	IV	230	60	1550	67	0.30	58	-25 ... +50	2.0/450	A

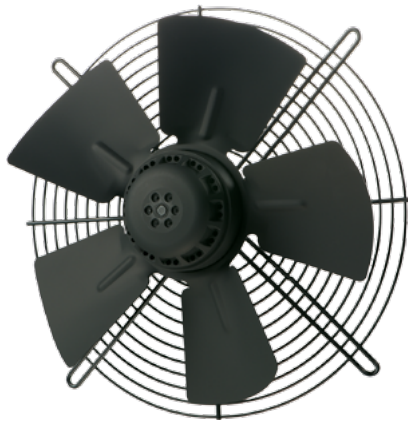


### Overall Dimensions



Ø 300 MM, STAMPED

AC AXIAL FAN



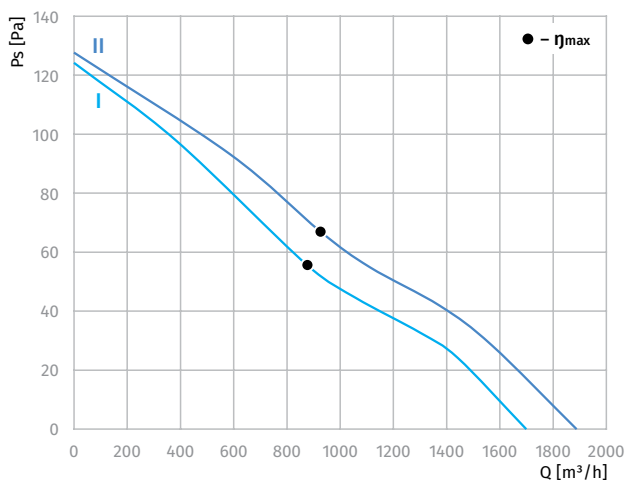
Features

- Impeller material: steel powder coated, stamped
- Direction of rotation: clockwise, seen on rotor
- Type of protection: IP44
- Insulation class: B
- Mode of operation: continuous operation (S1)
- Bearing: ball bearings
- Motor protection: self-resetting TOP wired internally

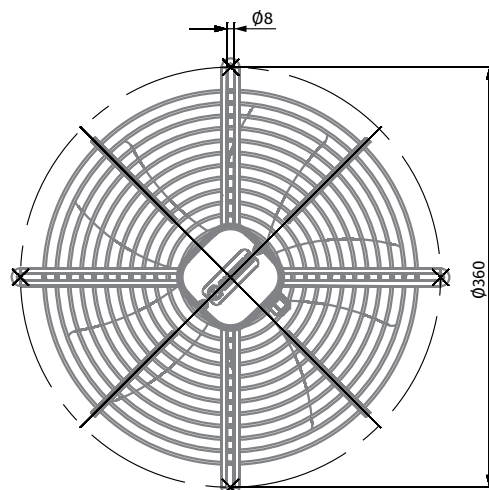
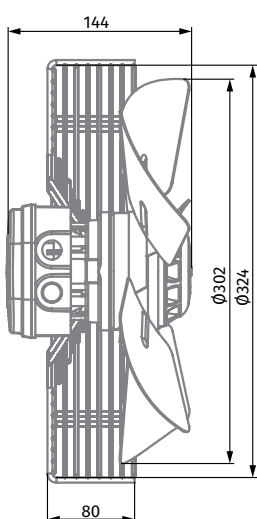


Technical data

Model	Perform. curve	Nominal voltage [VAC]	Frequency [Hz]	Speed [RPM]	Power input max [W]	Current max [A]	Sound pres. level [dB(A)]	Perm. amb. temp. [°C]	Capacitor [µF/VDB]	Electrical connection
BL-A300A-4E-C01-B3	I	230	50	1290	93	0.41	59	-25 ... +50	3.0/450	A
	II	230	60	1380	116	0.50	63	-25 ... +50	3.0/450	A

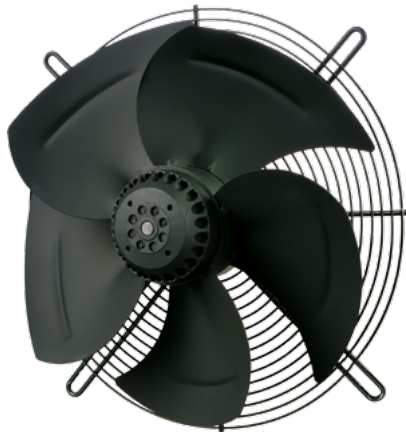


Overall Dimensions



# Ø 350 MM, WELDED

# AC AXIAL FAN



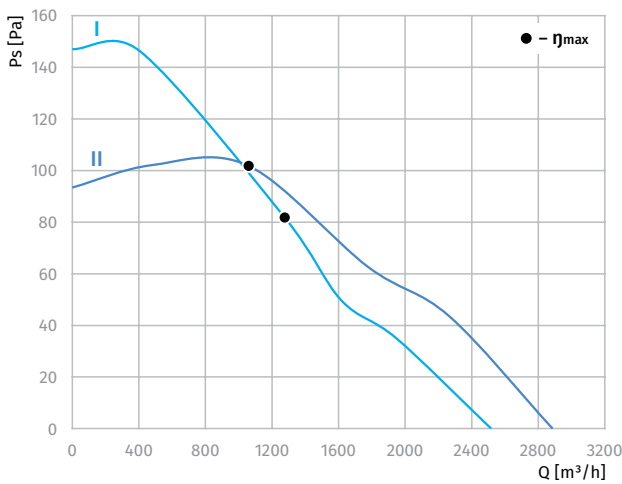
### Features

- **Impeller material:** steel powder coated, welded
- **Direction of rotation:** clockwise, seen on rotor
- **Type of protection:** IP54
- **Insulation class:** F
- **Mode of operation:** continuous operation (S1)
- **Bearing:** ball bearings
- **Motor protection:** self-resetting TOP wired internally

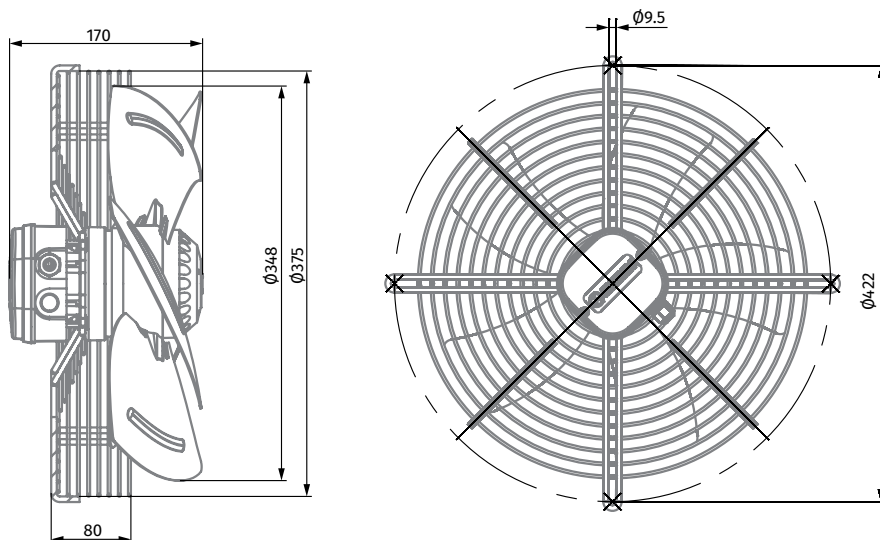


### Technical data

Model	Perform. curve	Nominal voltage [VAC]	Frequency [Hz]	Speed [RPM]	Power input max [W]	Current max [A]	Sound pres. level [dB(A)]	Perm. amb. temp. [°C]	Capacitor [µF/VDB]	Electrical connection
BL-A350B-4E-L01-B3	I	230	50	1330	218	0.97	63	-25 ... +50	4.0/450	A
	II	230	60	1570	248	1.10	67	-25 ... +50	4.0/450	A



### Overall Dimensions



AC AXIAL FANS

BACKWARD CURVED AC CENTRIFUGAL FANS

BACKWARD CURVED EC CENTRIFUGAL FANS

FORWARD CURVED AC CENTRIFUGAL FANS

FORWARD CURVED EC CENTRIFUGAL FANS

AC BLOWERS

EC BLOWERS

AC MOTORS

Ø 400 mm, WELDED

AC AXIAL FAN



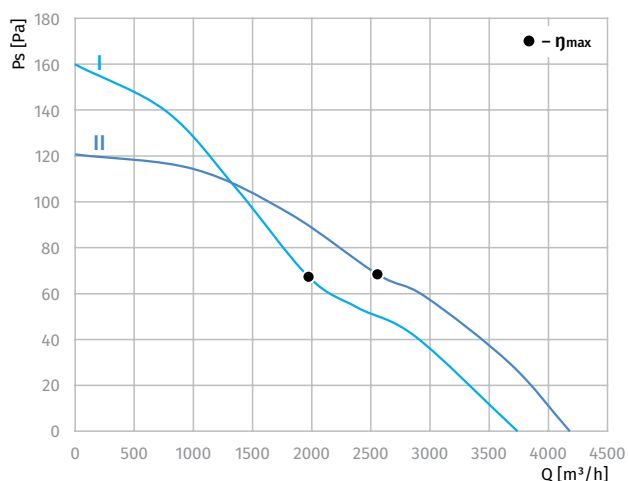
Features

- Impeller material: steel powder coated, welded
- Direction of rotation: clockwise, seen on rotor
- Type of protection: IP54
- Insulation class: F
- Mode of operation: continuous operation (S1)
- Bearing: ball bearings
- Motor protection: self-resetting TOP wired internally

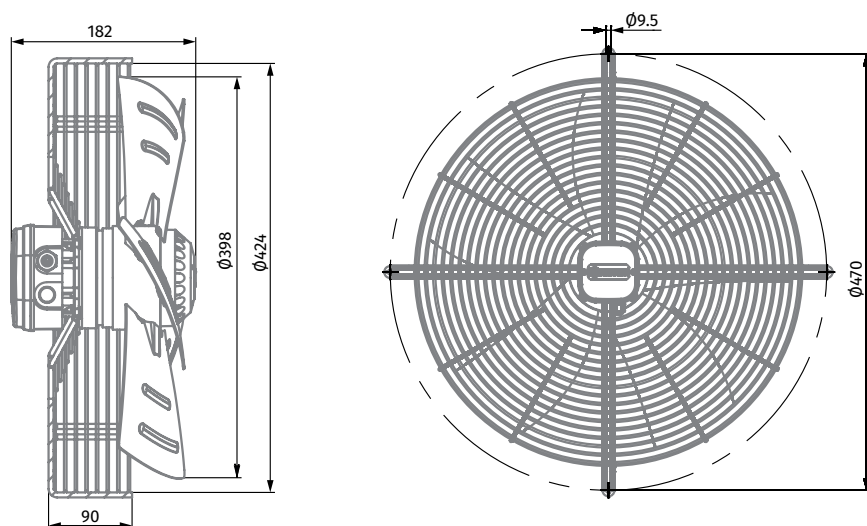


Technical data

Model	Perform. curve	Nominal voltage [VAC]	Frequency [Hz]	Speed [RPM]	Power input max [W]	Current max [A]	Sound pres. level [dB(A)]	Perm. amb. temp. [°C]	Capacitor [µF/VDB]	Electrical connection
BL-A400B-4E-M01-B3	I	230	50	1400	290	1.27	63	-25 ... +50	6.0/450	A
	II	230	60	1600	331	1.43	67	-25 ... +50	6.0/450	A



Overall Dimensions



# Ø 450 MM, WELDED

# AC AXIAL FAN



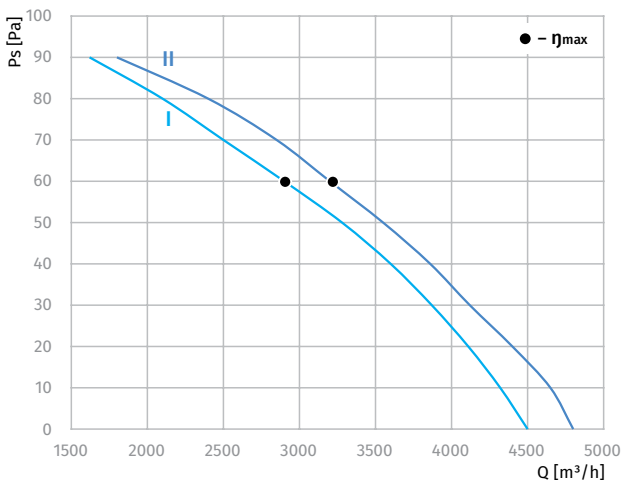
### Features

- Impeller material: steel powder coated, welded
- Direction of rotation: clockwise, seen on rotor
- Type of protection: IP54
- Insulation class: F
- Mode of operation: continuous operation (S1)
- Bearing: ball bearings
- Motor protection: self-resetting TOP wired internally

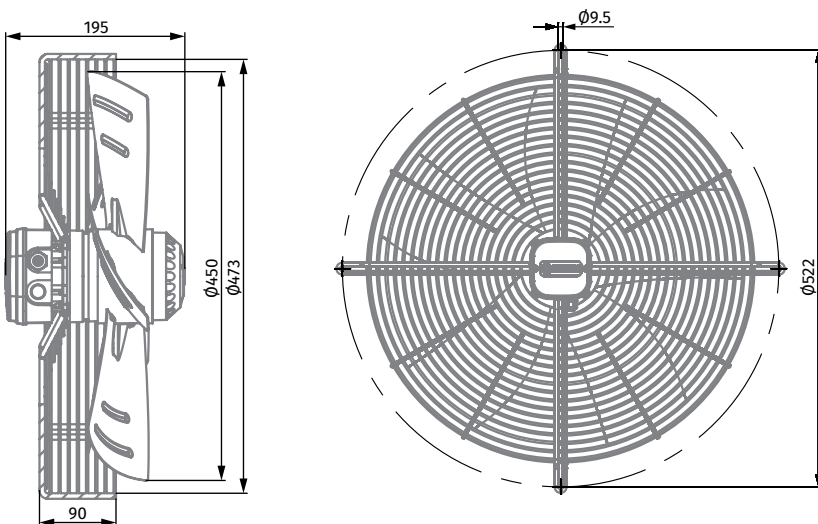


### Technical data

Model	Perform. curve	Nominal voltage [VAC]	Frequency [Hz]	Speed [RPM]	Power input max [W]	Current max [A]	Sound pres. level [dB(A)]	Perm. amb. temp. [°C]	Capacitor [µF/VDB]	Electrical connection
BL-A450B-4E-N01-B3	I	230	50	1310	317	1.40	64	-25 ... +50	8.0/450	A
	II	230	60	1390	425	1.85	68	-25 ... +50	8.0/450	A



### Overall Dimensions



AC AXIAL FANS

BACKWARD CURVED AC CENTRIFUGAL FANS

BACKWARD CURVED EC CENTRIFUGAL FANS

FORWARD CURVED AC CENTRIFUGAL FANS

FORWARD CURVED EC CENTRIFUGAL FANS

AC BLOWERS

EC BLOWERS

AC MOTORS